

PROJECT

**Ballincor Wind Farm
110kV Grid Connection**

CLIENT



CONSULTANTS



NOTES: -

1. Layout and Arrangements of Substation Building and Electrical Equipment is shown indicatively and for illustration purposes only.
2. Dimensions are in millimeters unless otherwise stated.
3. Dimensions shown are as per current EirGrid Specifications at the time of submission. Dimensions may vary at time of construction to reflect any revisions to EirGrid Specifications.
4. Final Specifications of Buildings and Electrical Equipment is to be as per Eirgrid and ESB Specifications.

LEGEND: -

Levels on Plans shown thus FFL 46.5 m / FCL 46.65 m

Levels on Elevations / Section shown thus FFL 46.5 m / FCL 46.65 m

ISSUE/REVISION

NO	DATE	DESCRIPTION
P2	10.11.2025	Issued for Planning
P1	10.07.2025	Issued for Planning
I/R	DATE	DESCRIPTION

PROJECT NUMBER

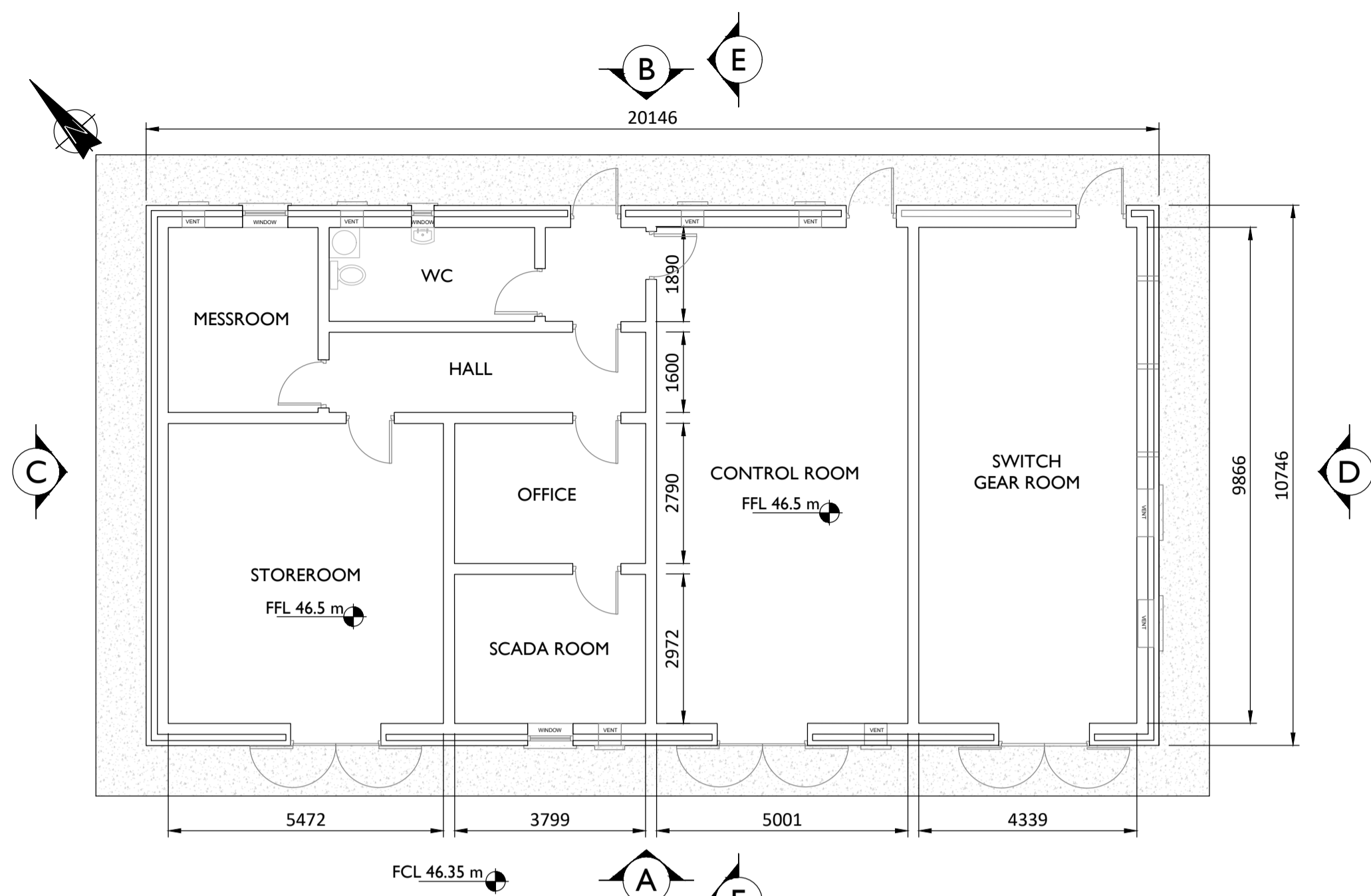
05-867

SHEET TITLE

Customer MV Switchgear Building

SHEET NUMBER

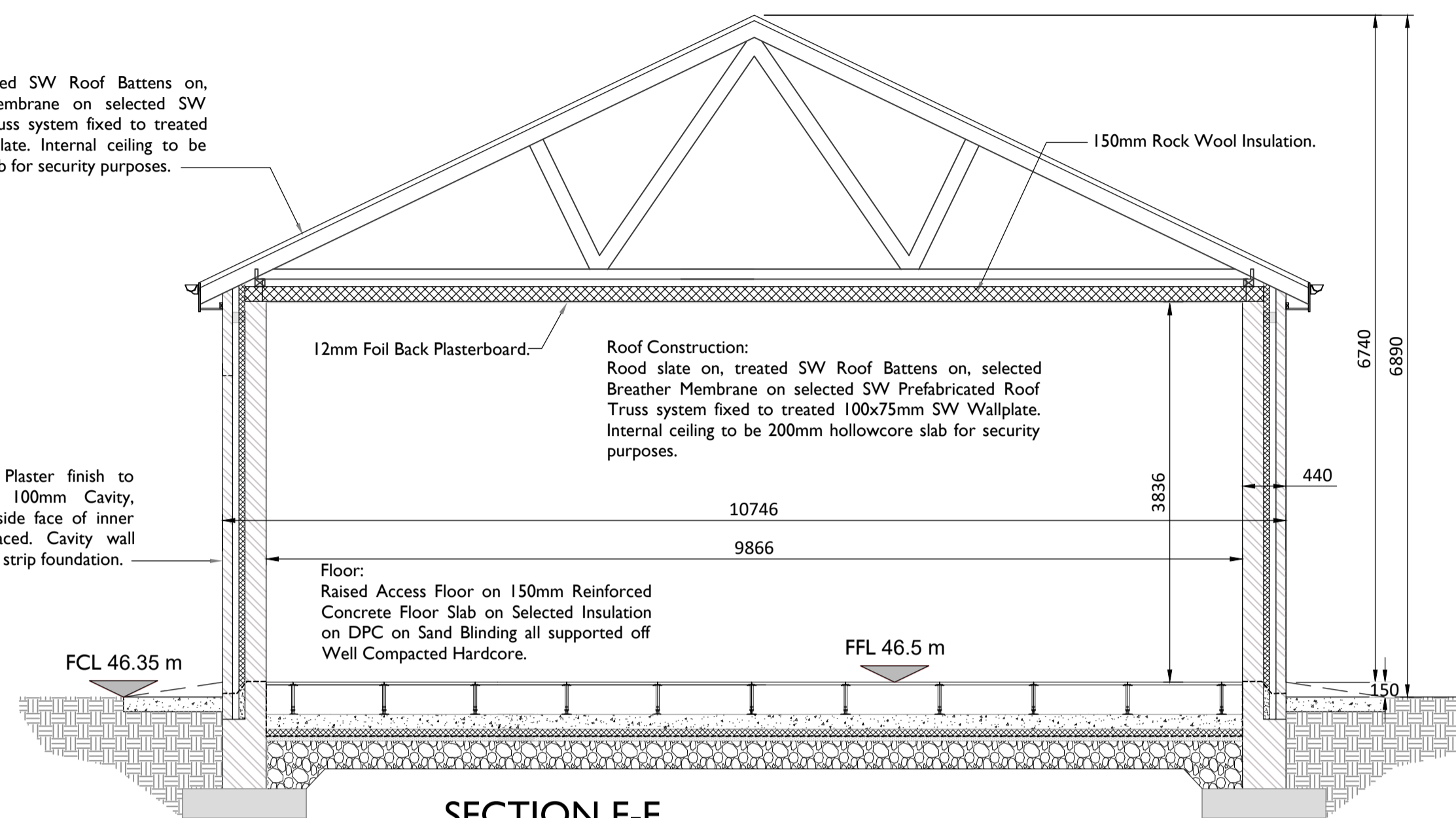
05867-DR-304



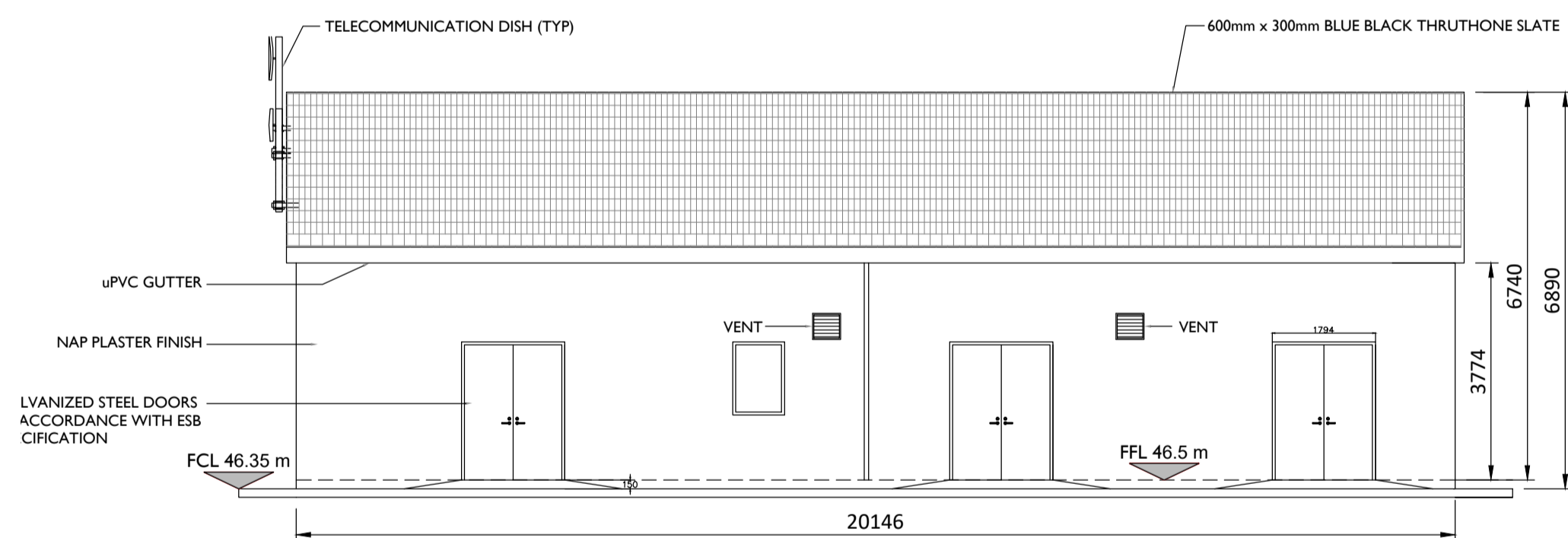
PLAN - CONTROL BUILDING
Scale : 1:100

Roof Construction:
Roof slate on, treated SW Roof Battens on, selected Breather Membrane on selected SW Prefabricated Roof Truss system fixed to treated 100x75mm SW Wallplate. Internal ceiling to be 200mm hollowcore slab for security purposes.

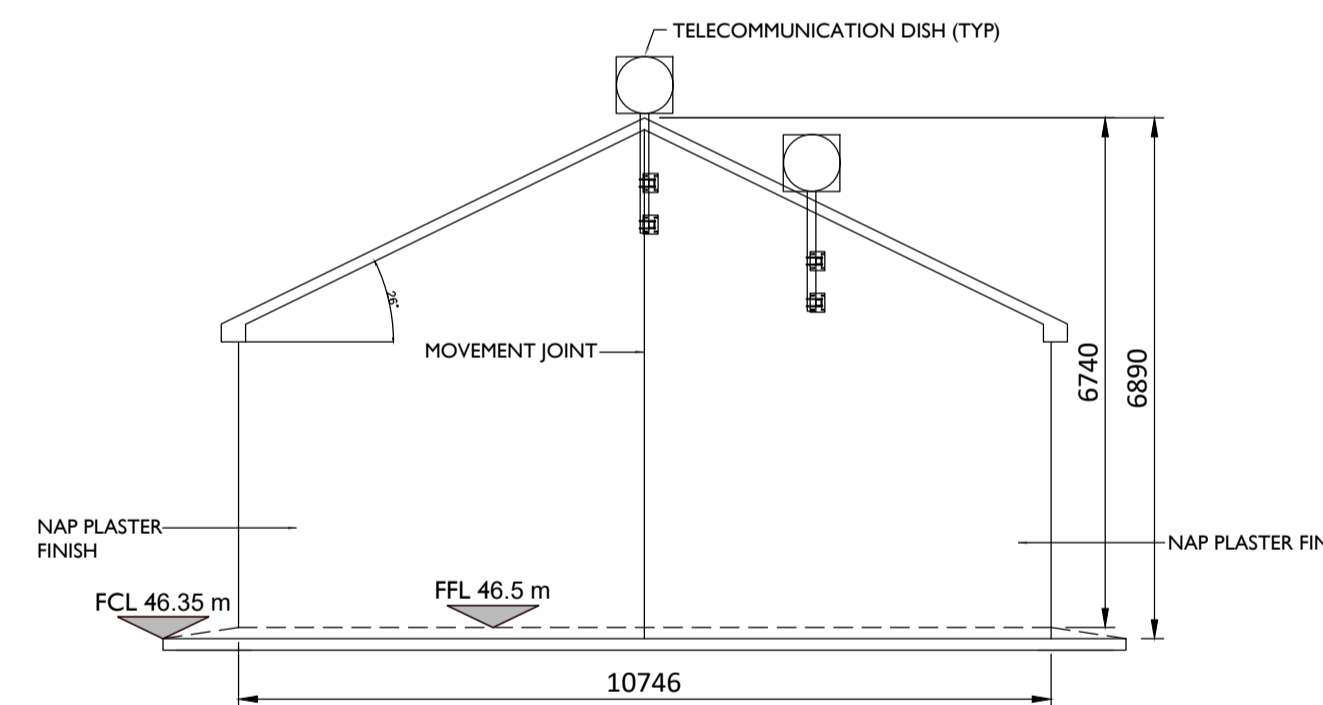
Cavity Wall:
Flat Sand / Cement Plaster finish to 100mm Outer Leaf, 100mm Cavity, 215mm Inner Leaf. Inside face of inner leaf to remain fair-faced. Cavity wall supported on concrete strip foundation.



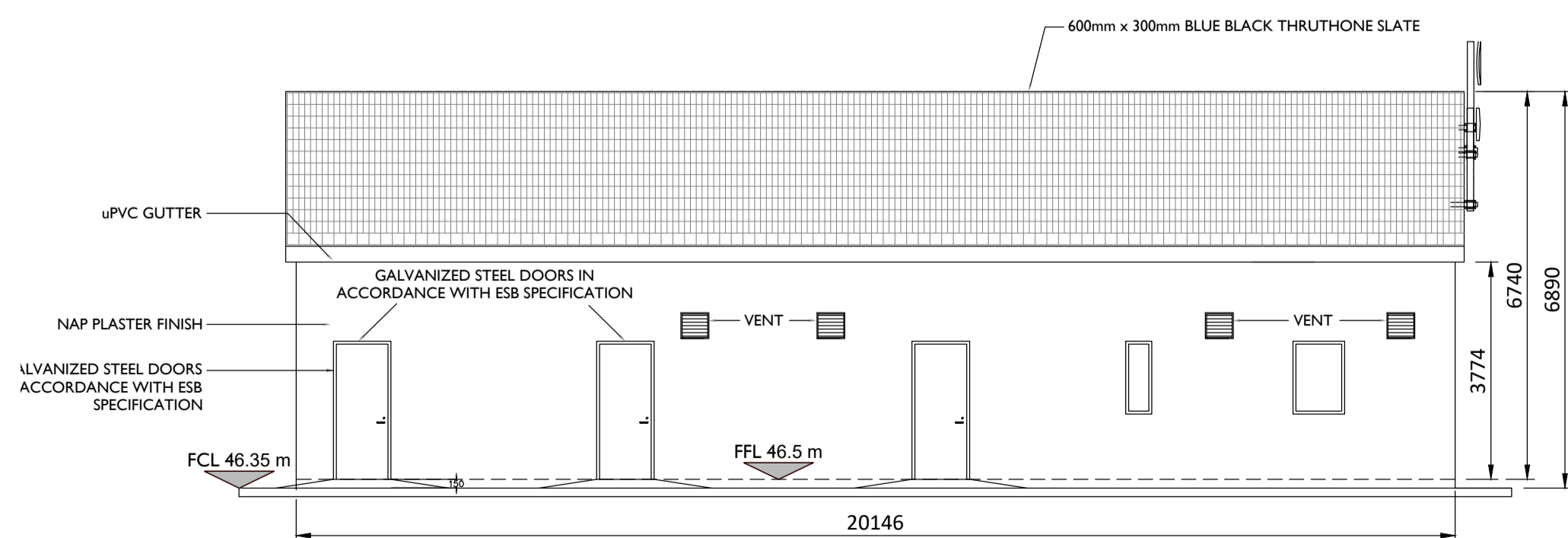
SECTION E-E
Scale : 1:50



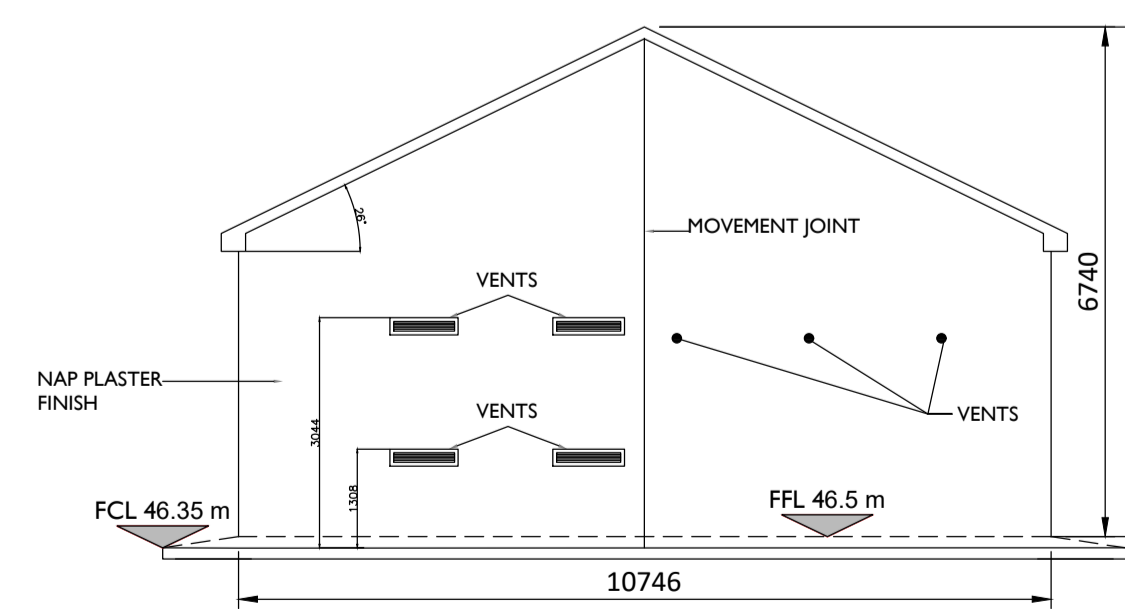
ELEVATION A
Scale : 1:100



ELEVATION C
Scale : 1:100



ELEVATION B
Scale : 1:100



ELEVATION D
Scale : 1:100